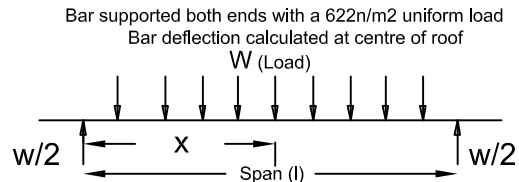
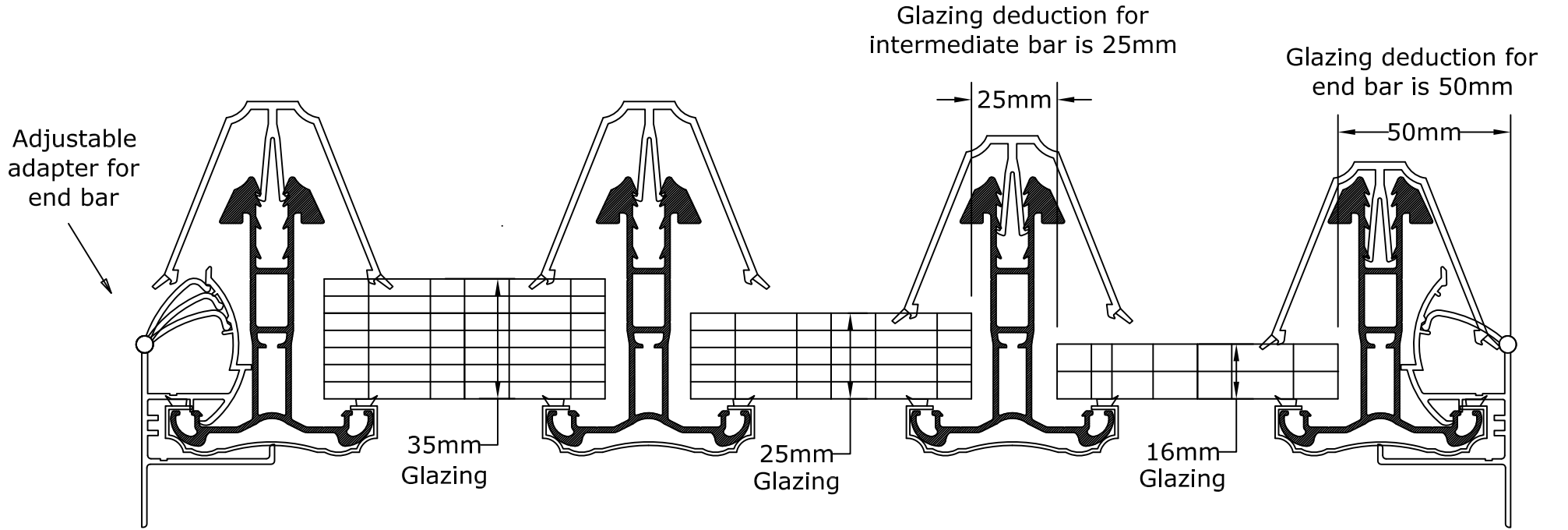


# Heavy Duty Self Supported Glazing Bar

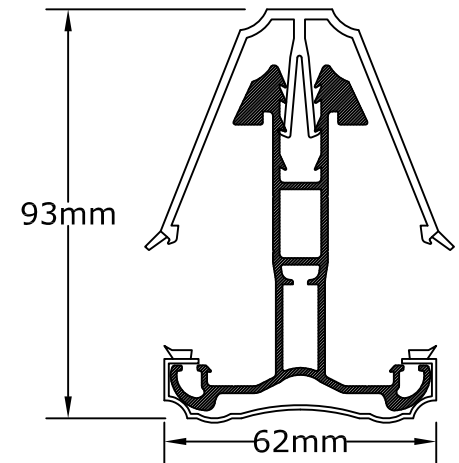
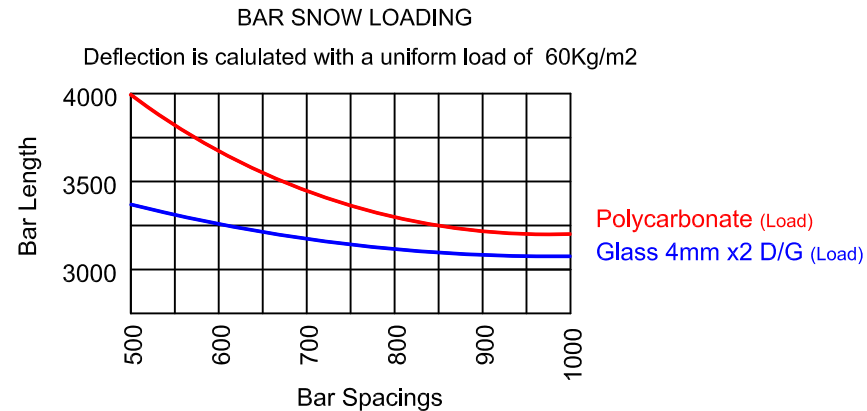
Can be glazed with 16mm, 25mm, 32mm and 35mm Polycarbonate Sheet or Glass



$$\frac{5 \times W \times L^3}{384 \times E \times I}$$

Where W = Load  
E = Modulus Of Profile in N/mm<sup>2</sup>  
I = Inertia in mm<sup>4</sup>

Deflection calculation of Heavy Duty Self Supporting Glazing Bar  
Fail point beyond a deflection of 35mm under maximum load



## Description

### Heavy Duty Self Supported Bar

Available in 2.5m, 3m, 3.5m, 4m, 5m and 6m Lengths  
Colours - White and Brown

## Scaled To Fit

Weight	1.6KG /metre
Alloy	T6 Aluminium Extrusion
Part No. Ref	SSH-(size)-(colour)

the  
**glazing** shop