

Chester 5000 Carport

Approx. Dim.

500 L x 297.5 W x 218 H cm / 196.8" L x 117.1" W x 85.8" H

 **Wind Resistant**
90 km/hr
55 ml/hr

 **Snow Load**
100 kg/m²
20 lbs/ft²



the
glazing shop

T: 01536 446395

E: sales@theglazingshop.co.uk

W: www.theglazingshop.co.uk



IMPORTANT

Please read these instructions carefully before you start to assemble this greenhouse.
Please carry out the steps in the order set out in these instructions.
Keep these instructions in a safe place for future reference.

» Care and Safety advice

- Please follow the instructions as listed in this manual.
- Sort the parts and check against the list of contents.
- For safety purposes we strongly recommend that the product will be assembled by at least two people.
- Some parts have metal edges. Please be careful when handling components. Always wear gloves, shoes and safety goggles during assembly.
- Do not attempt to assemble the carport in windy or wet conditions.
- Dispose of all plastic bags safely – keep them out of reach of small children.
- Keep children away from the assembly area.
- Do not attempt to assemble the carport if you are tired, have taken drugs, medications or alcohol, or if you are prone to dizzy spells.
- When using a stepladder or power tools, ensure that you are follow the manufacturer's safety advice.
- Do not climb or stand on the roof.
- Heavy articles should not be leaned against the poles.
- Please consult your local authorities if any permits are required to erect carport.
- This product is specifically designed with a minor slope of the roof in order to allow drainage of water flow. Please keep roof and gutters clean of snow, dirt & leaves.
- Heavy amounts of snow on roof can damage the carport making it unsafe to stand below or nearby.
- This product was designed and produced to be used mainly as a carport.
- Some parts of this carport are painted.

If color was scratched during assembly it can be fixed with the following tints:
Grey – RAL 7012

» Cleaning instructions

When your carport needs cleaning, use a mild detergent solution and rinse with cold clean water.
Do not use acetone, abrasive cleaners, or others special detergents to clean the panel.

» Before Starting Assembly

- This carport must be assembled on a solid base (such as concrete or asphalt).
- Choose your site carefully before beginning assembly. Site surface (mainly below poles) needs to be level.

» You will need

- T001 - (supplied)



» During Assembly



When encountering the information icon, please refer to the relevant assembly step for additional comments and assistance.

Step 5: It is recommended to place a sheet / Carton below the parts to avoid scratches and peeling of paint.

Step 5-6: According to the desired drainage direction, please select the preferred side to place the shorter legs. Please verify both legs #8002 are mounting on the same side

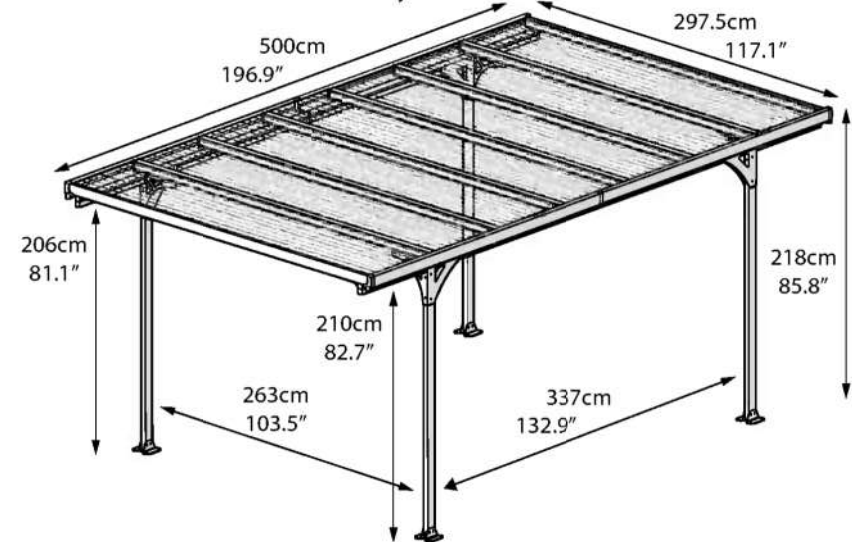
Step 7: At the end of all screws connection to parts, tighten all screws (including screws from previous steps)

Step 13: Place part #7580 underneath each and every panel to support the edge of the panels.

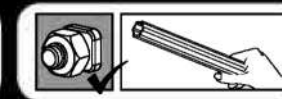
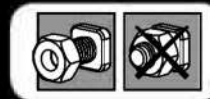
Step 18: Level the profiles legs to the flat surface, and then attach plugs and screws to the ground.

» General:

- Tighten all screws at the end of assembly.

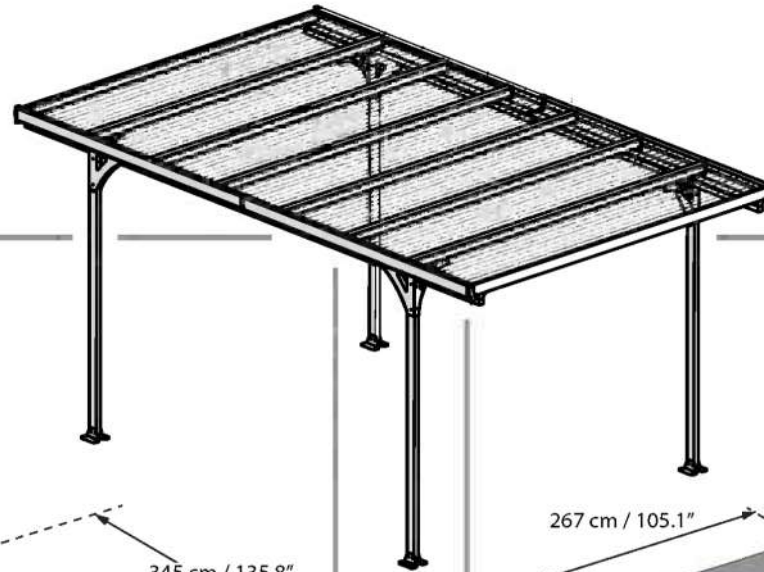


Do not tighten screws and nuts (411 & 412) until completion of assembly process.
These 2 icons indicate if screws' tightening is required or not.

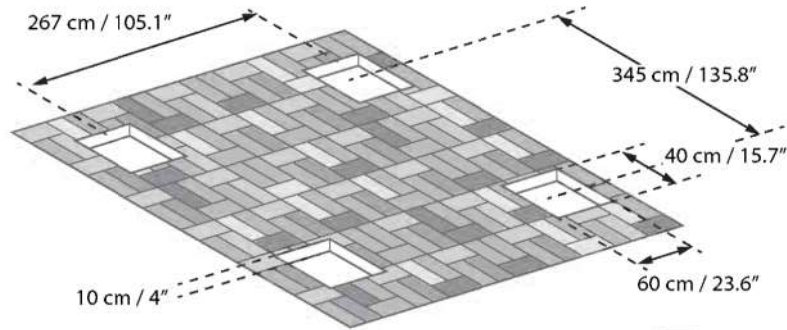




This carport should be assembled on a solid base (such as concrete). Without solid base, pre-foundation, that will include concrete and metal, is needed as in this drawing

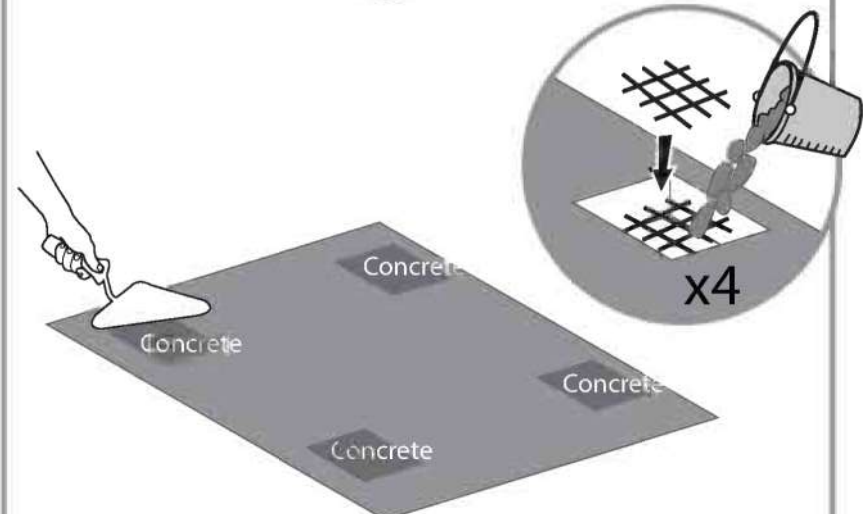
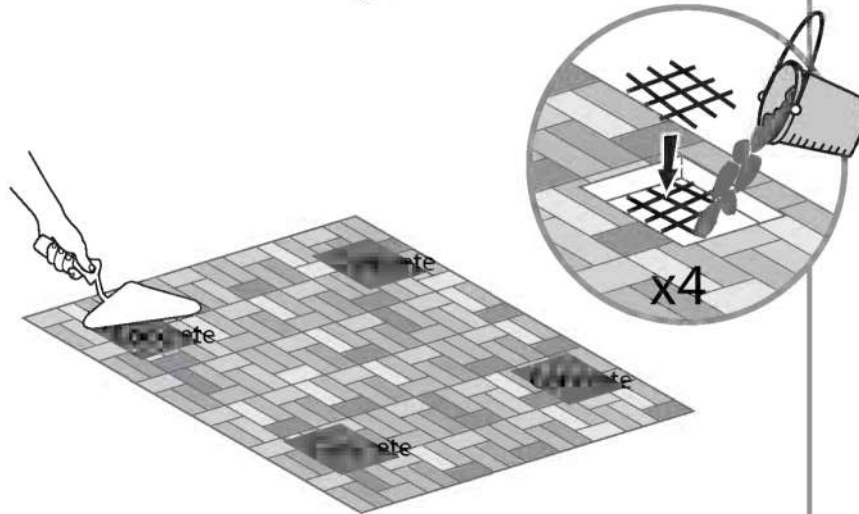
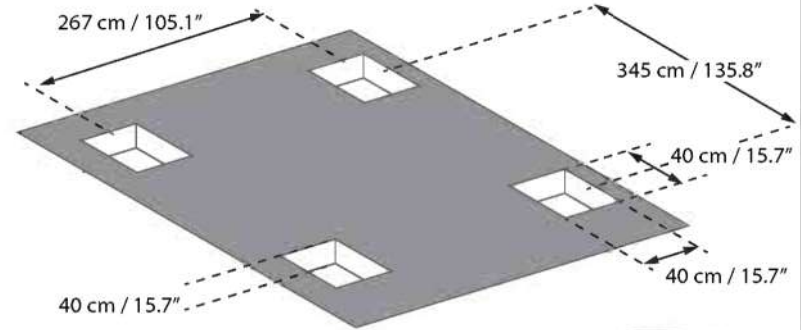


Slabs and concrete pavers






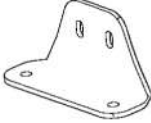
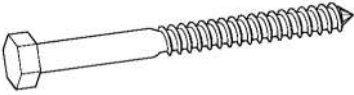




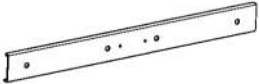
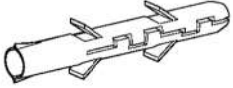

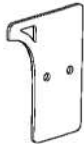


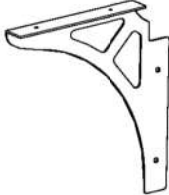


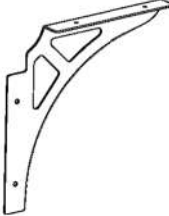

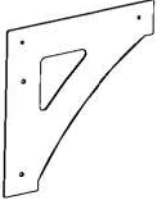




OR


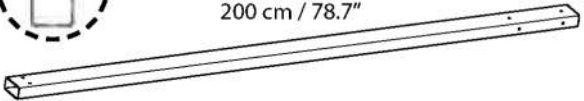
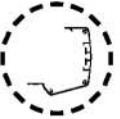

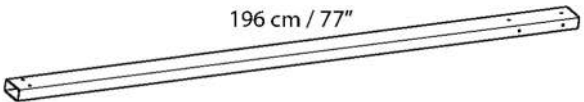
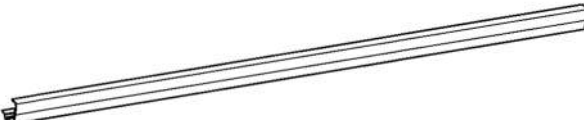



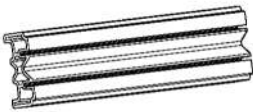



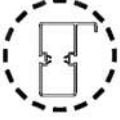



Asphalte



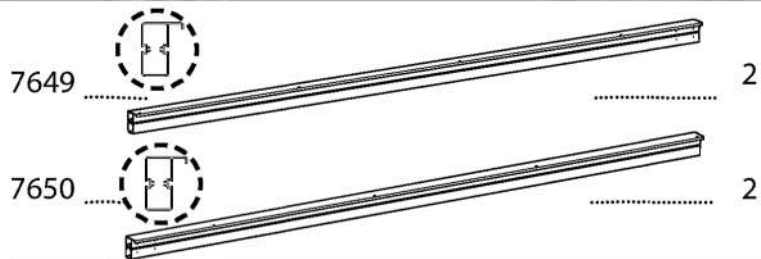
Contents

Item		Qty.	Item		Qty.	Item		Qty.
4042		16 (+1)	447		16 (+1)	7580		14
7579		8 (+1)	450		24 (+2)	212		8
4000		16 (+1)	4043		24 (+2)	7038		12
433		64 (+3)	8116		2	7039		2
4010		16 (+1)	8117		2	7655		4
5000		64 (+2)	8118		4	7653		2
5001		56 (+4)	8119		2	7654		2
8192		76 (+4)				7575		8
466		76 (+4)						
7121		24 (+2)						

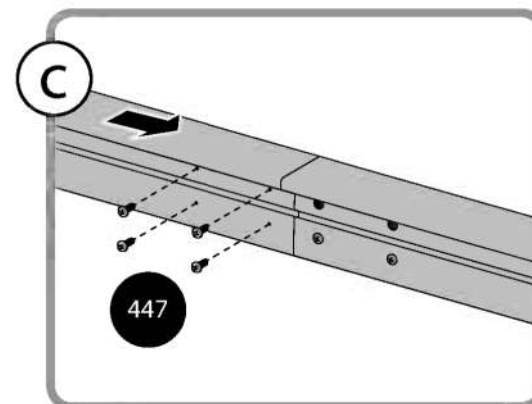
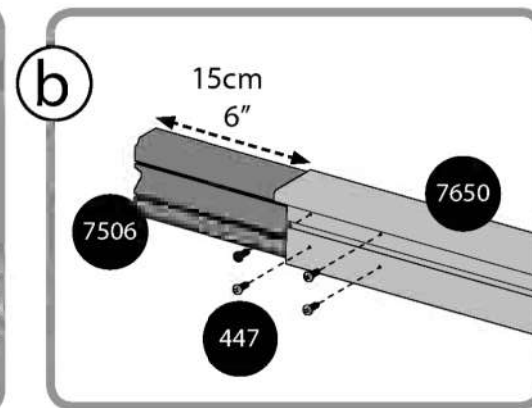
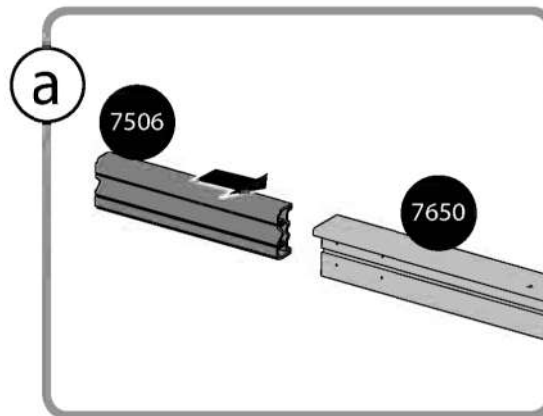
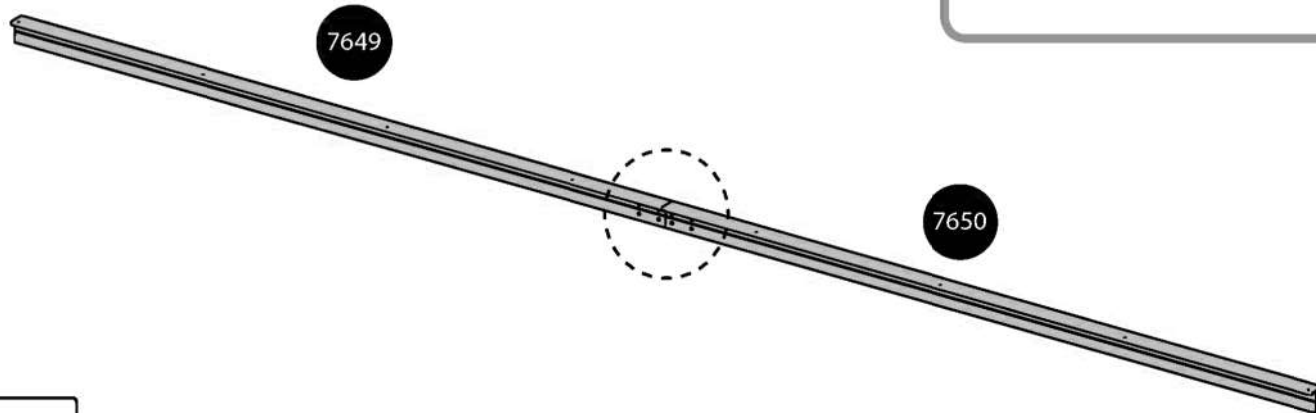
Contents

Item		Qty.	Item		Qty.
7568	  <p>200 cm / 78.7"</p>	2	7651	 	2
8002	 <p>196 cm / 77"</p>	2	7652		2
7987	 	6	7506	 	2
7988	 	2	7990		7
7649	 	2	T001		1
7650		2			

1



x2



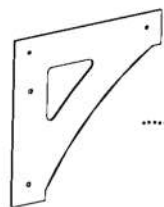
2



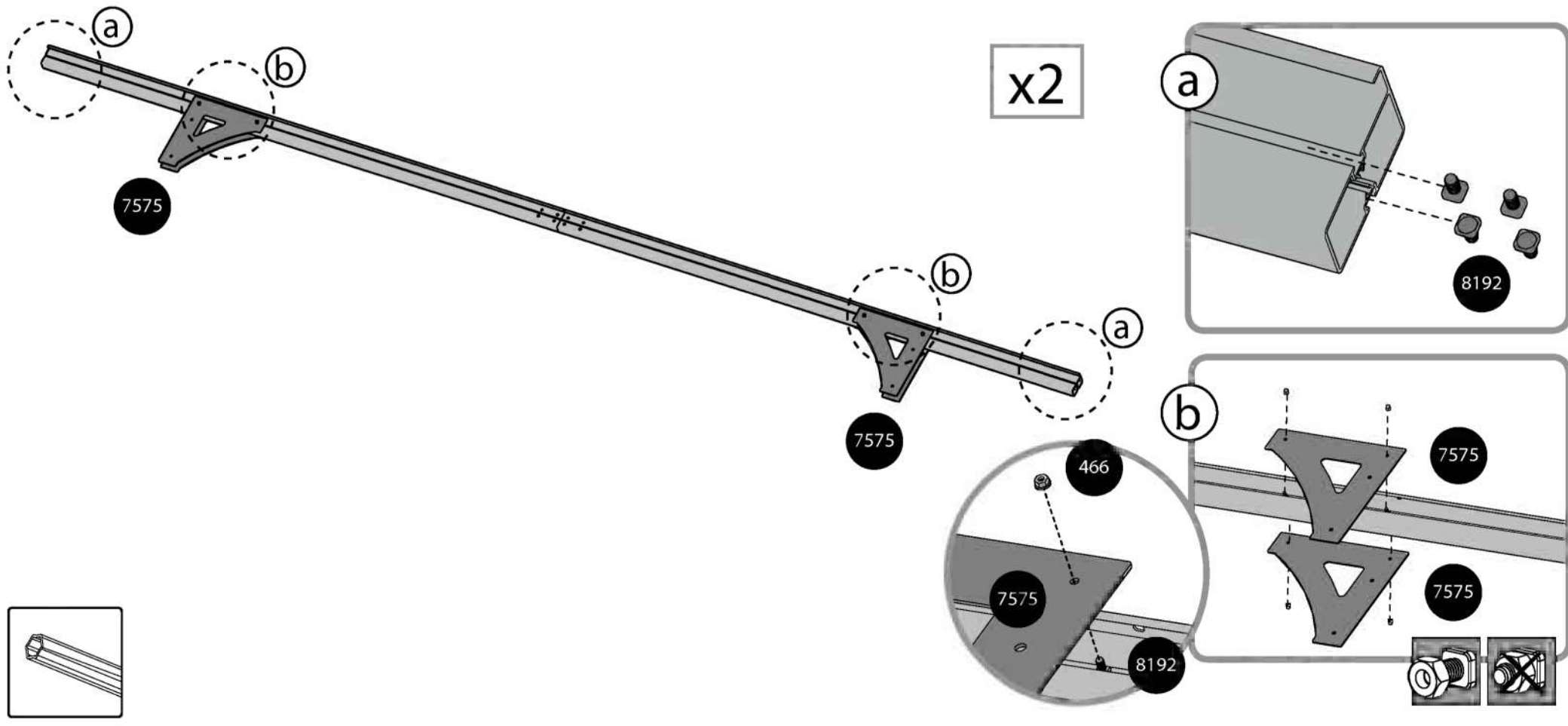
8192 16



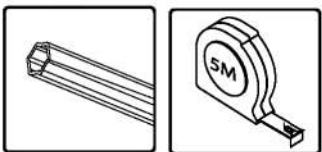
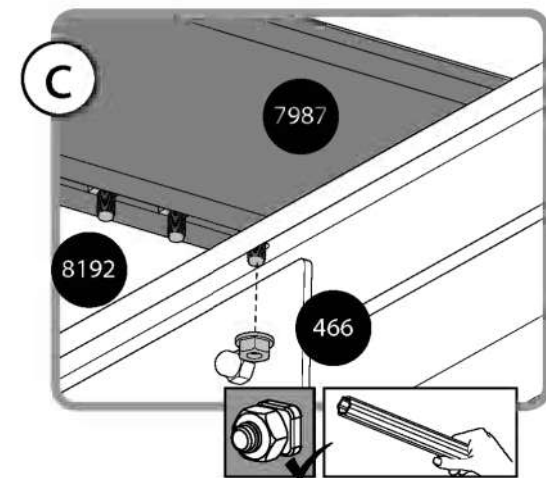
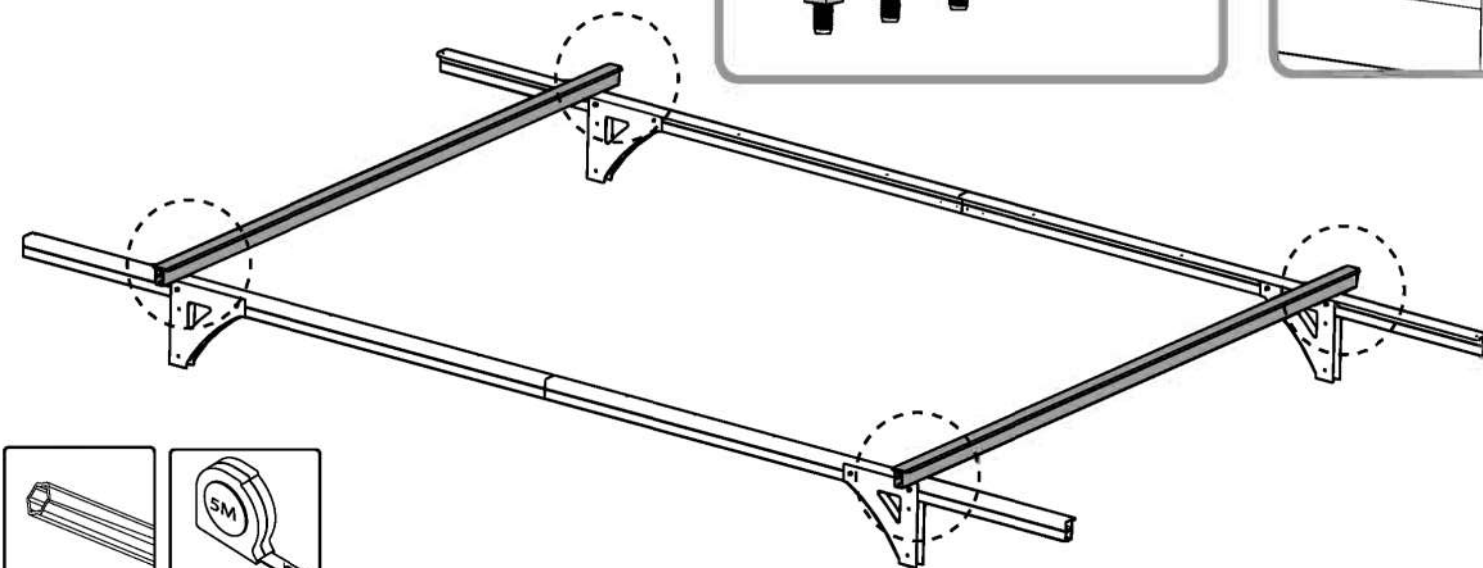
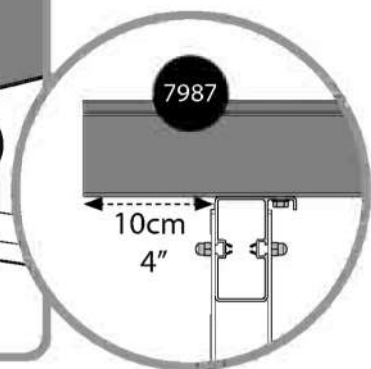
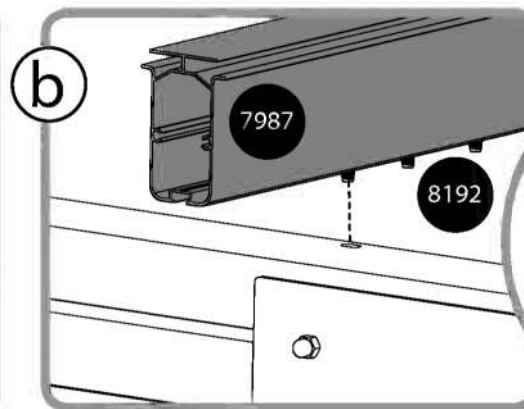
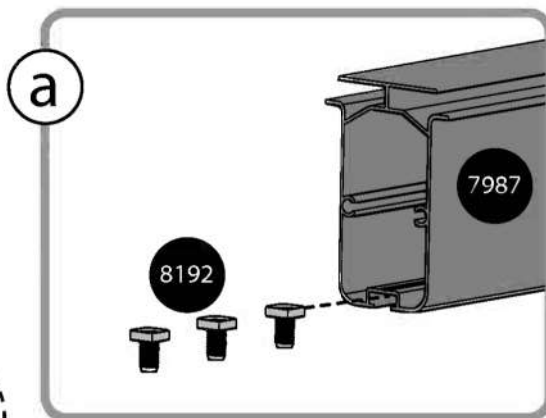
7575 8



466 16



3



4



7568	2	4042	8	433	16
8002	2	212	8	7121	8

x2 **7568**

x2 **8002**

212 **212** **212** **212**

7121 **433** **433** **4042**


13mm

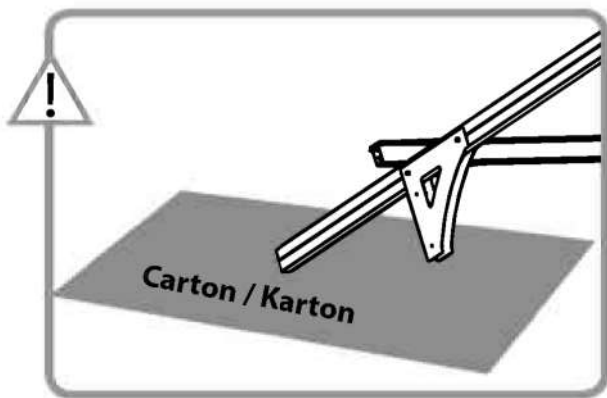
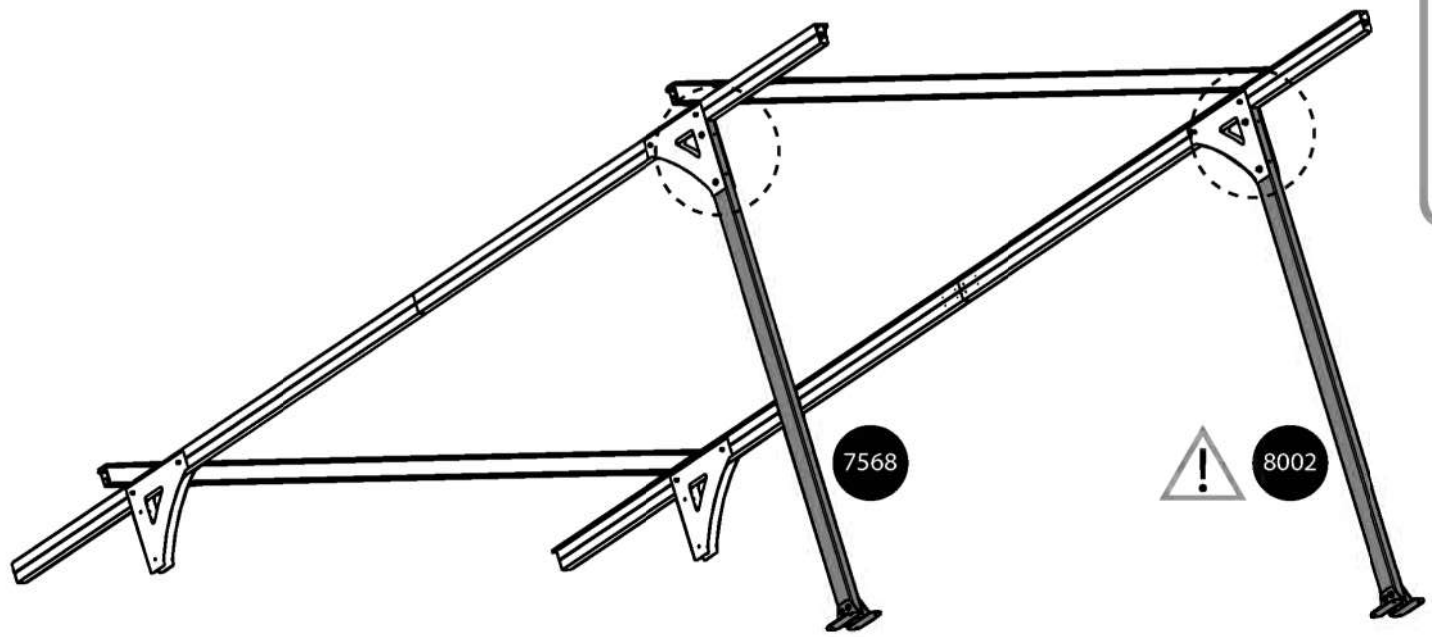
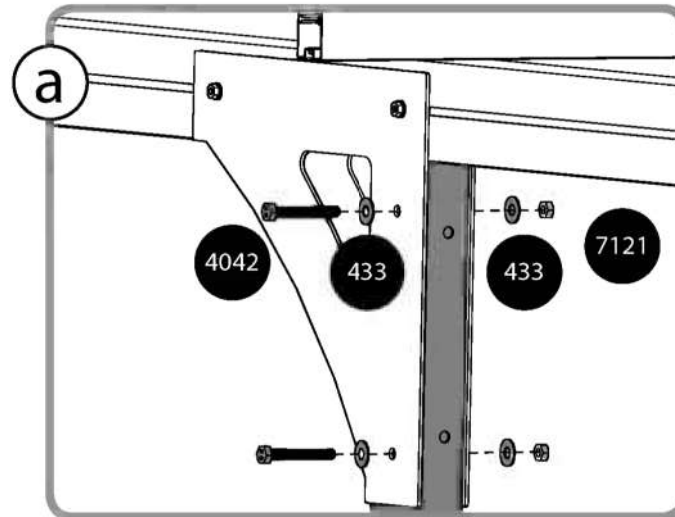
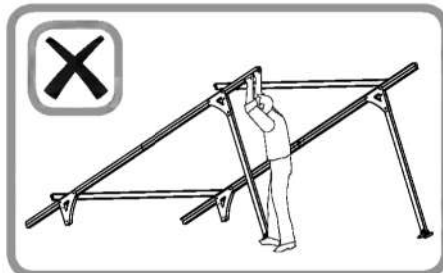
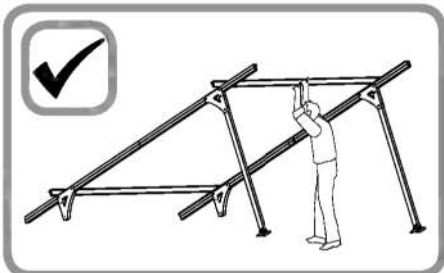
5 **i**



4042  4


433  8


7121  4




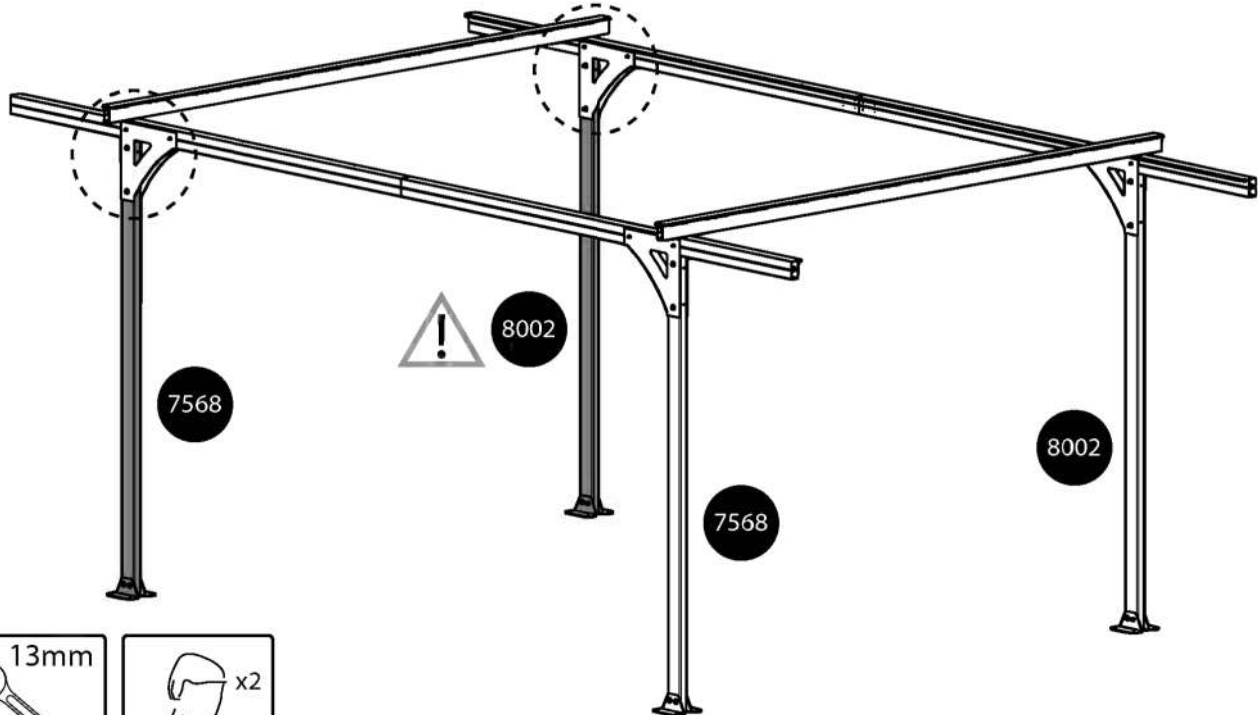
6



4042  4

433  8

7121  4



7568

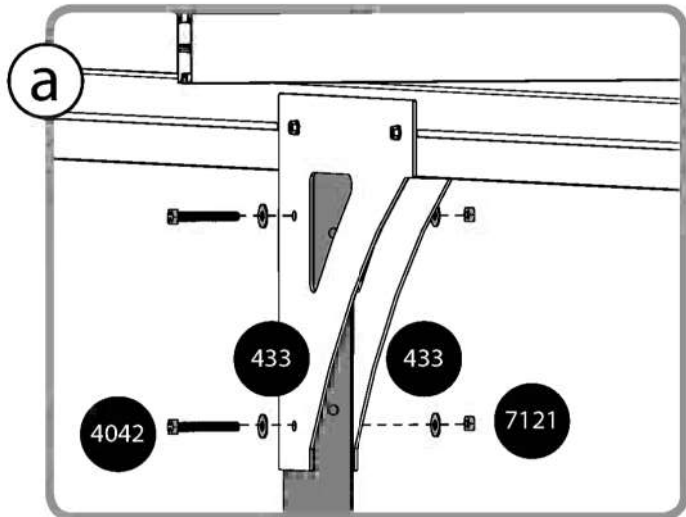
8002

8002

7568

13mm

x2



a

4042

433

433

7121

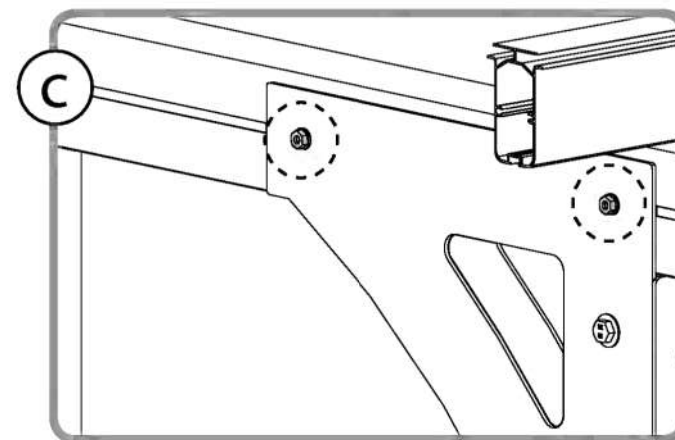
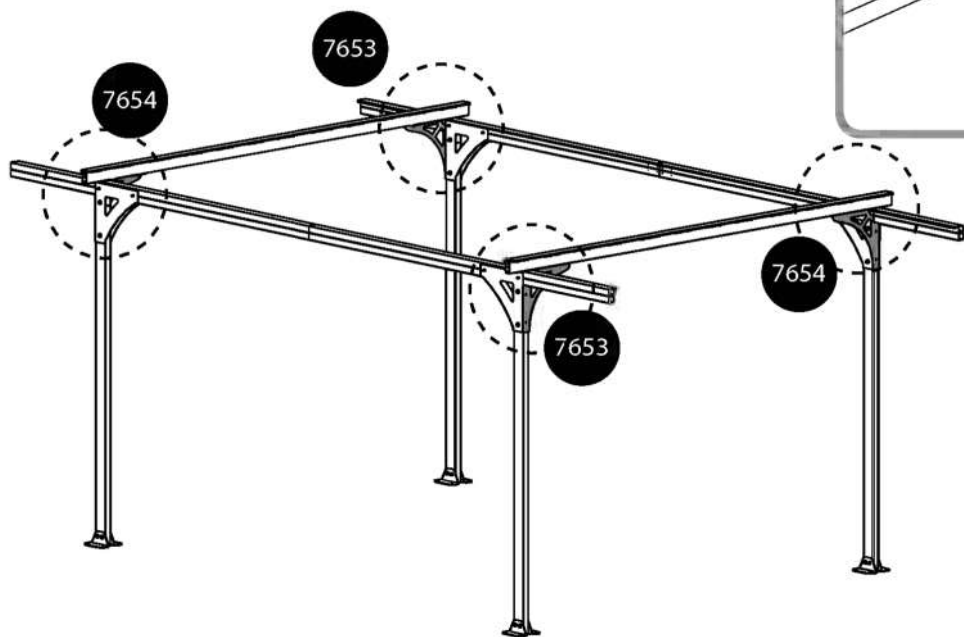
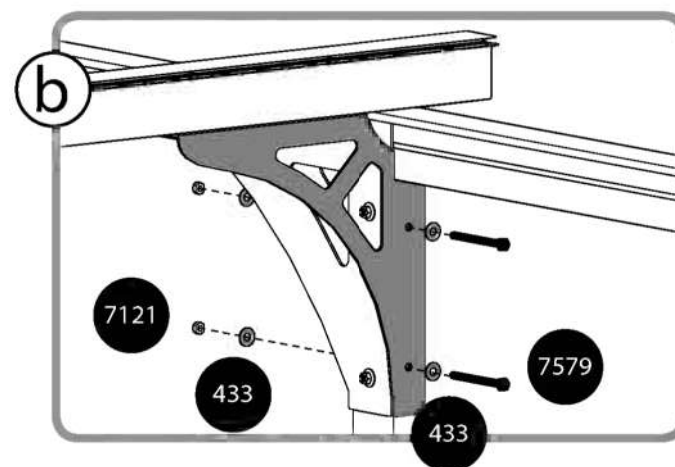
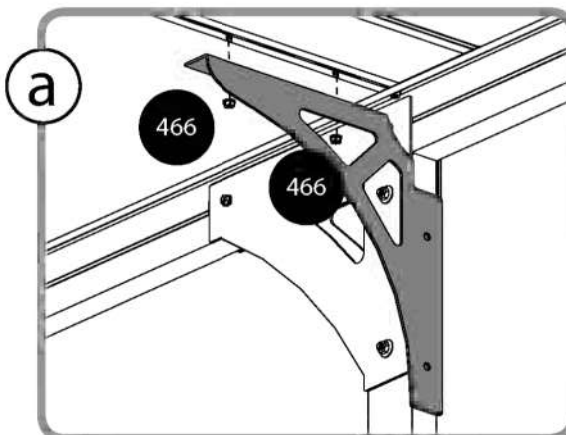
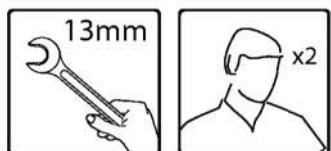
7 **i**



- 7653 2
- 7654 2

- 7579 8
- 7121 8

- 433 16
- 466 8





7987		4	8192		12
7988		2	466		12

a

b

7988

7987

7987

7987

7987

7988

8192

466

7988

8192

7987

466

10cm

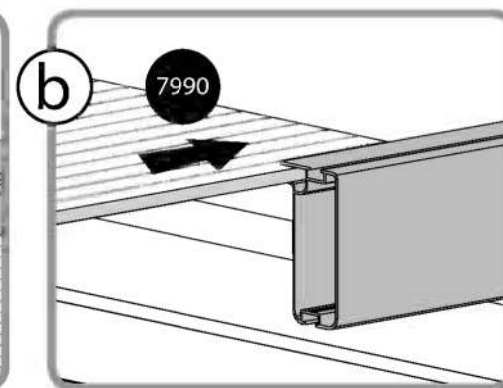
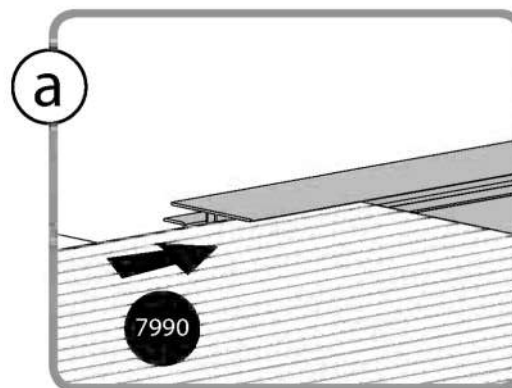
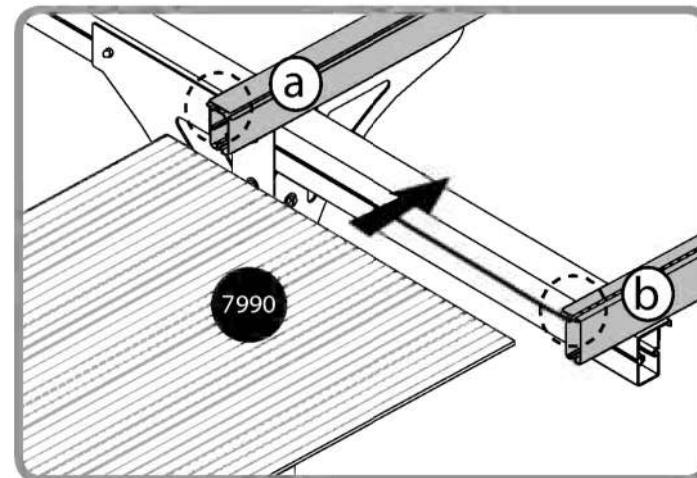
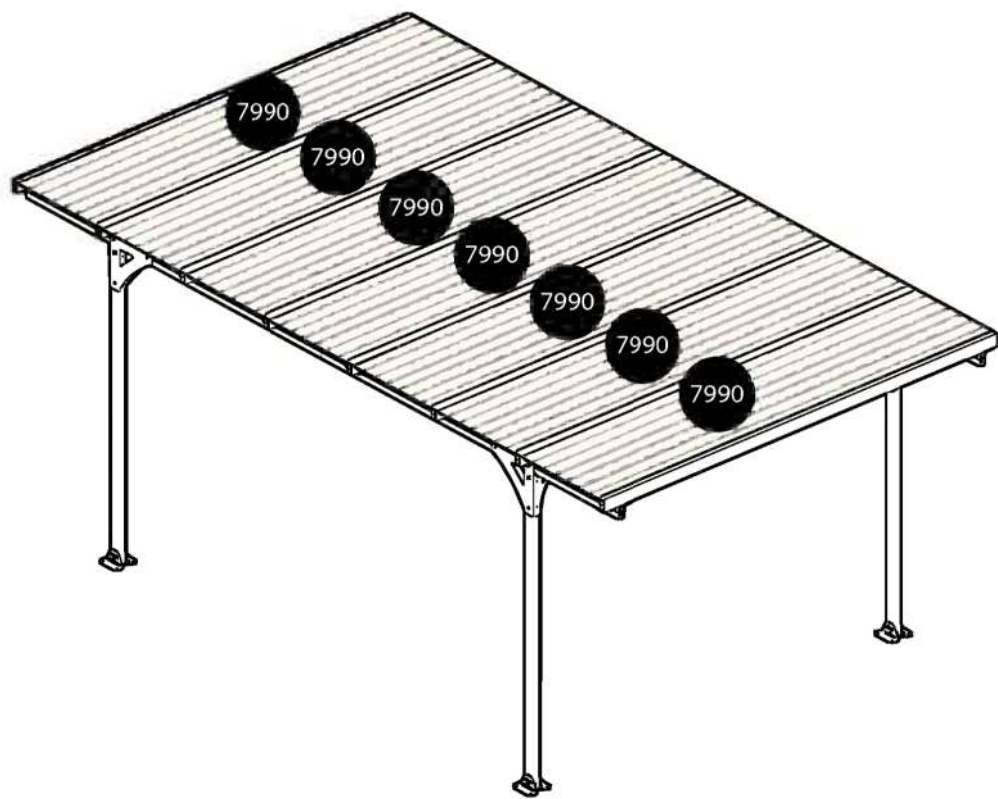
4"

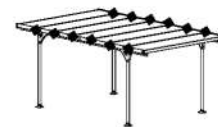


7990



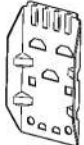
7

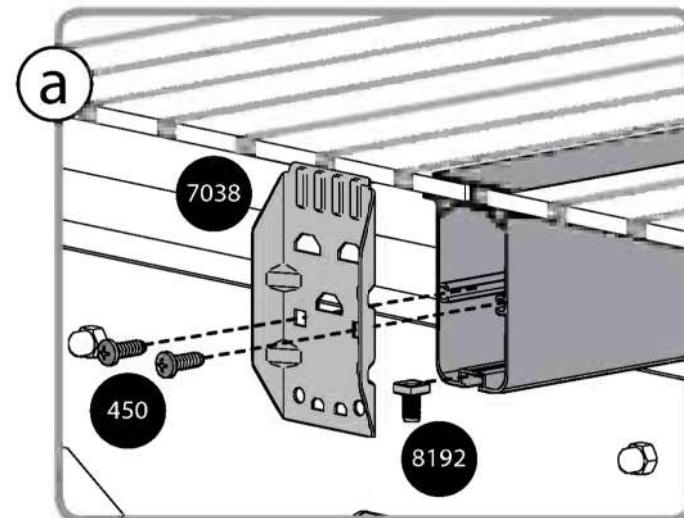
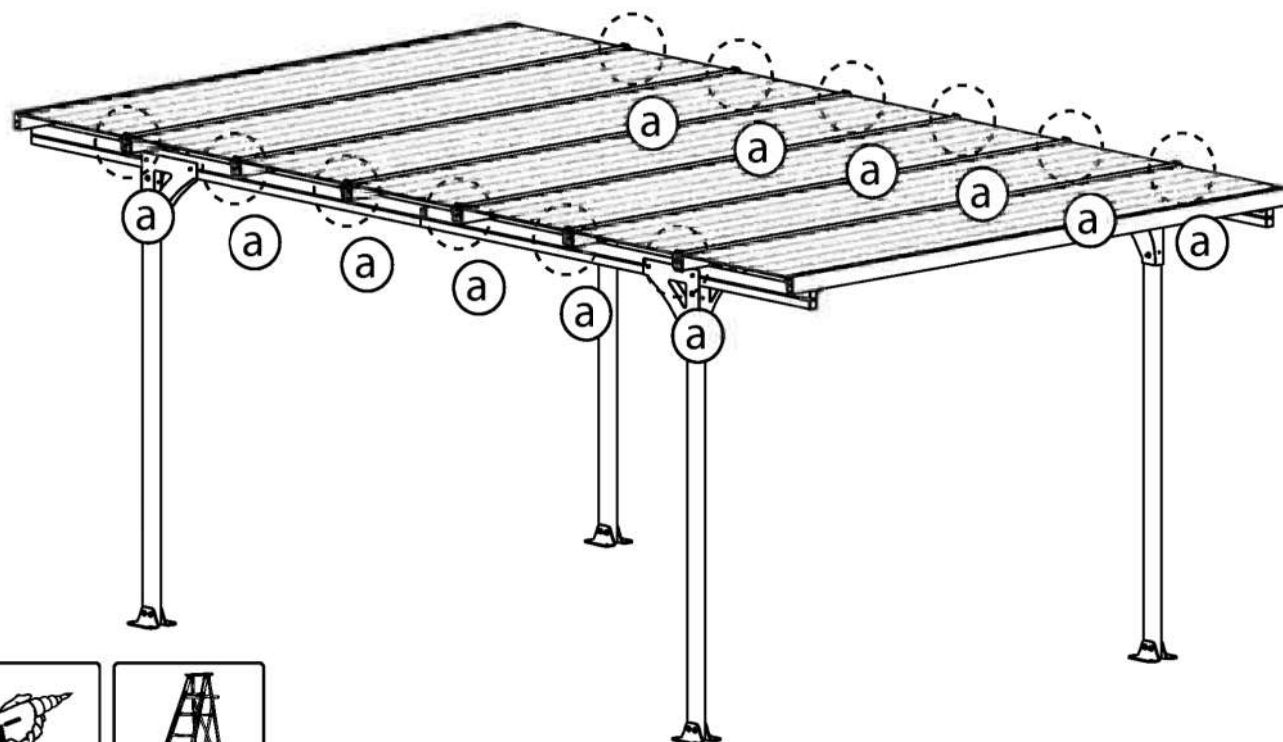




450  24

8192  12


7038  12





8192  8

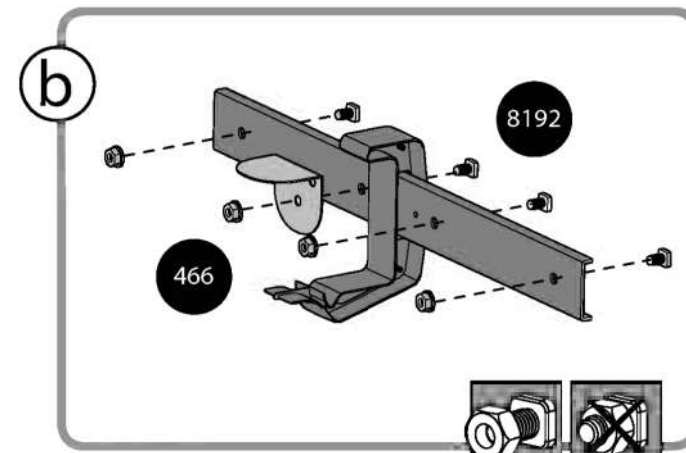
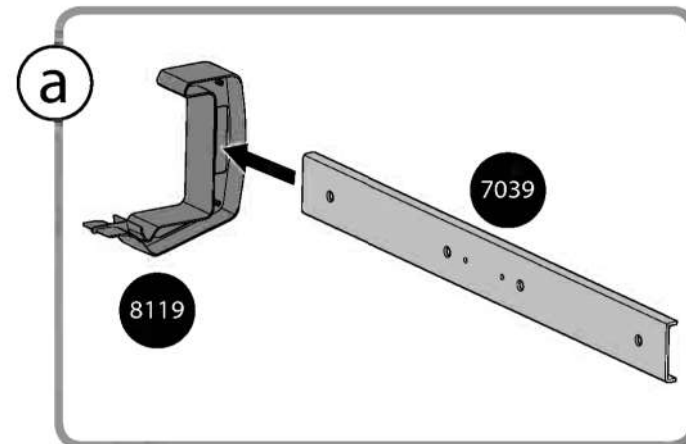
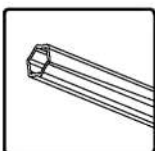
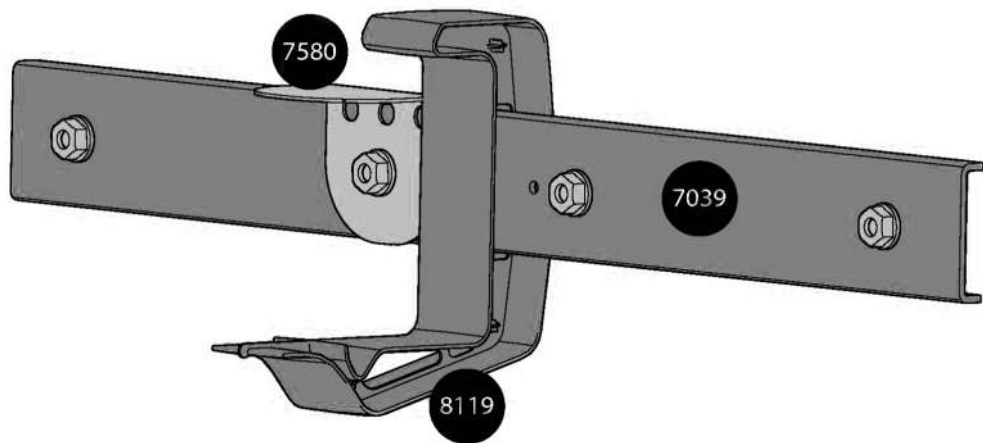
466  8

8119  2

7580  2

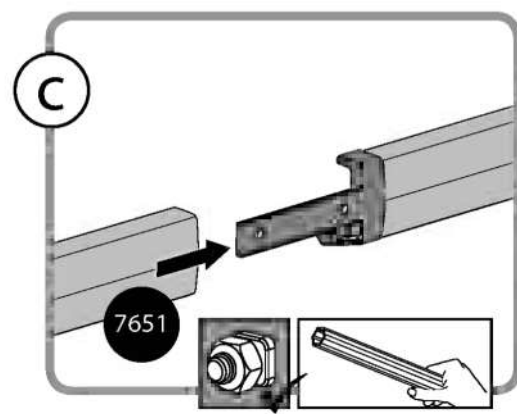
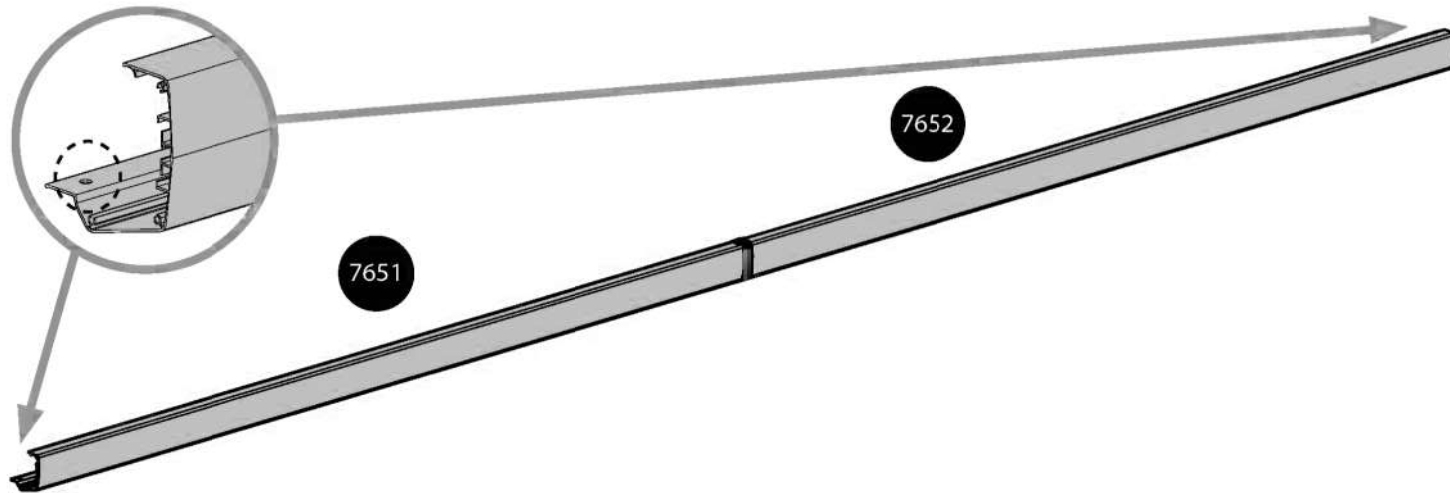
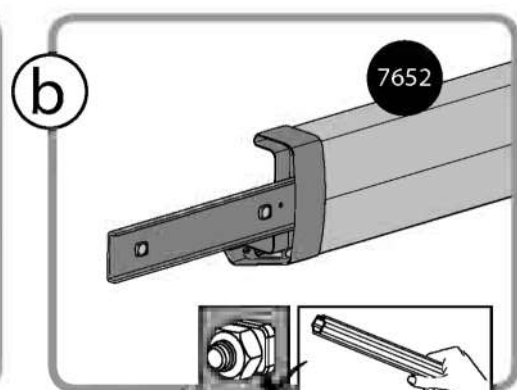
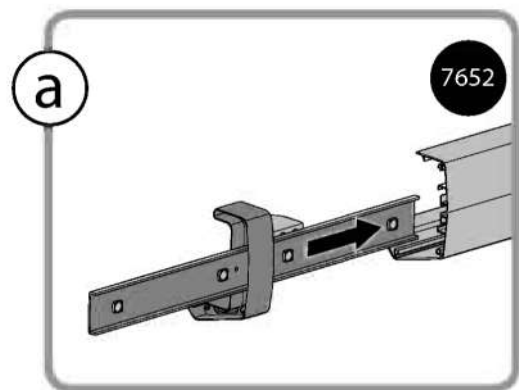
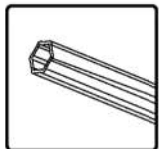
7039  2

x2





x2



13 **i**

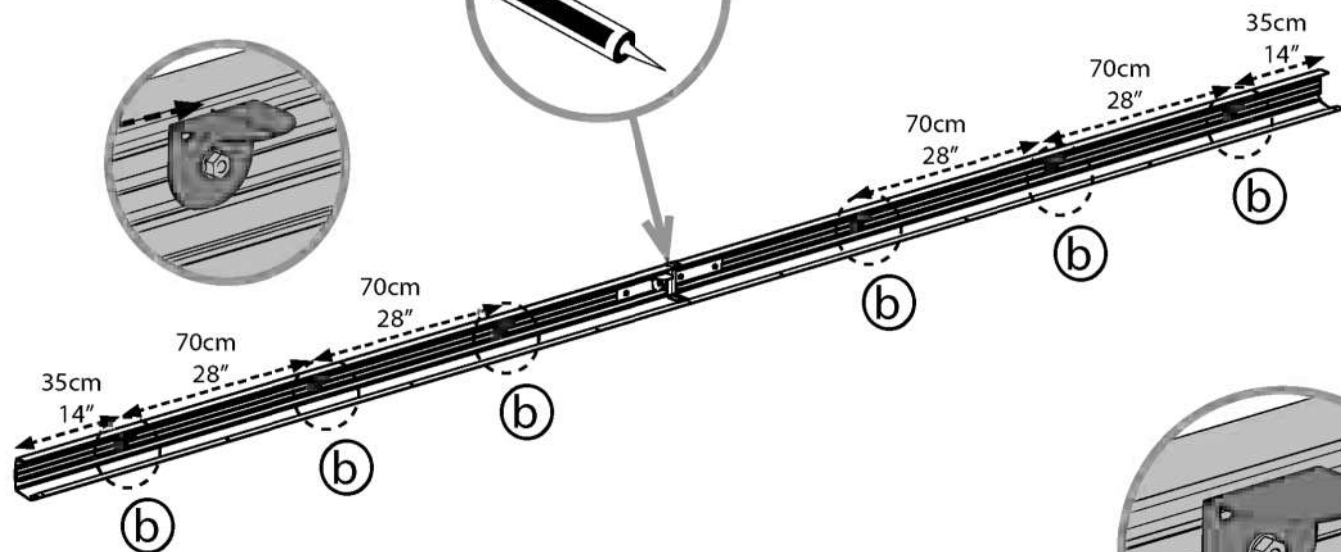


8192  12

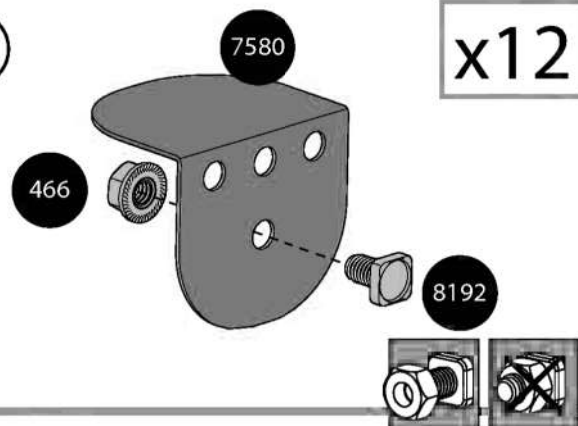
7580  12

466  12

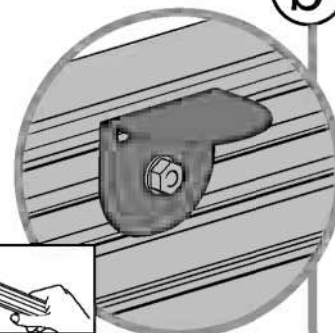
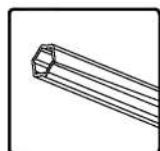
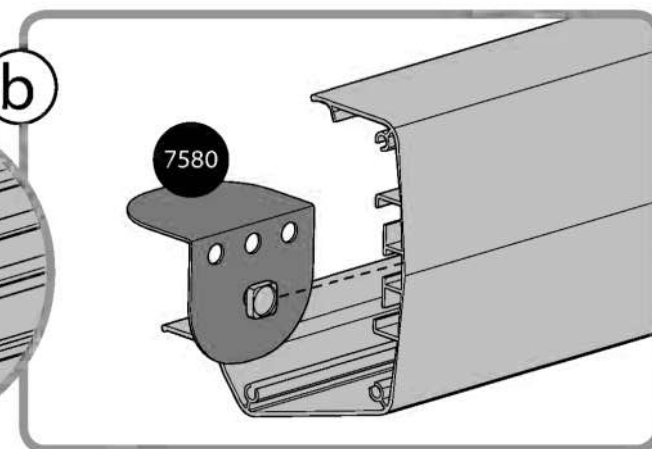
x2



a



b





8116 2 8117 2 8118 4 4043 16

CAULK / SILICON

a b c

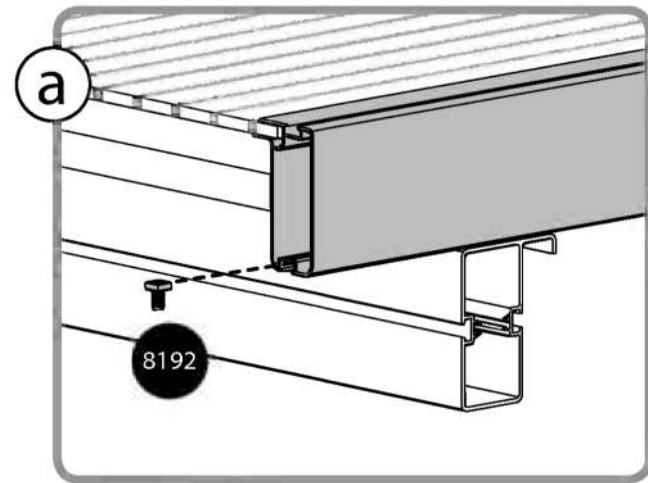
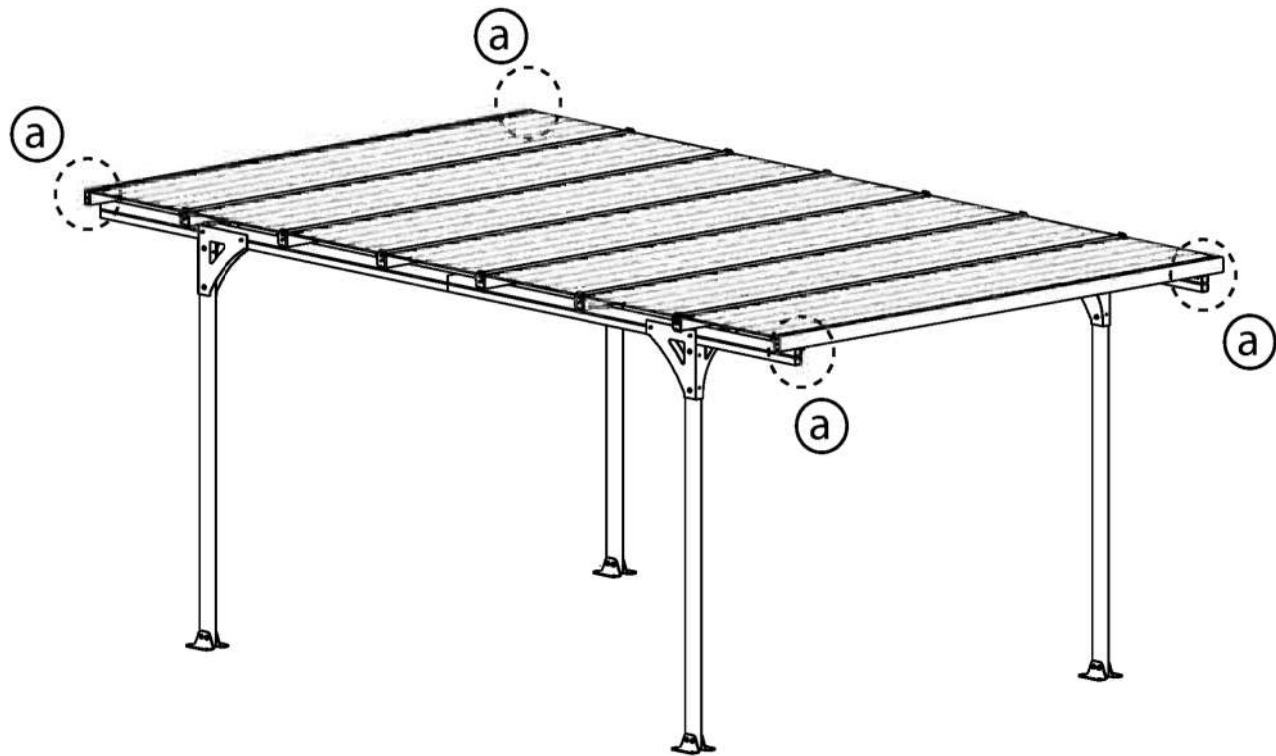
8118 8117

x2

8116 4043 8118

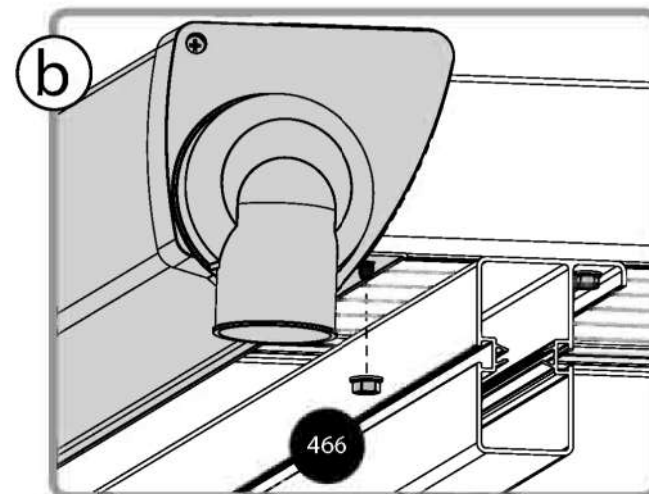
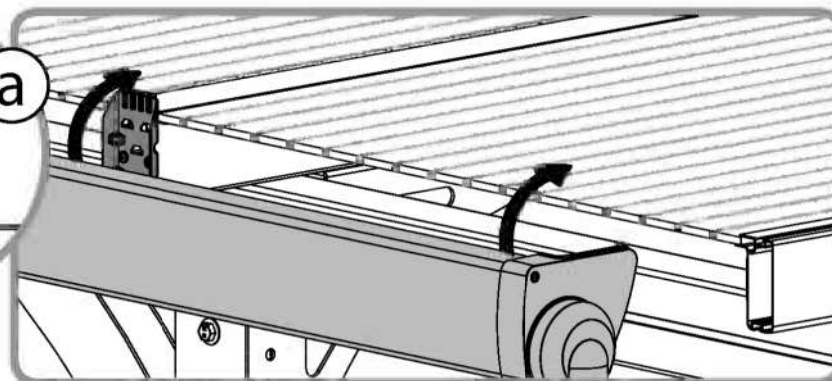
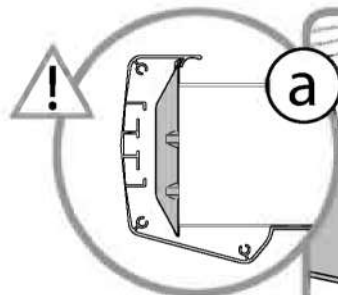
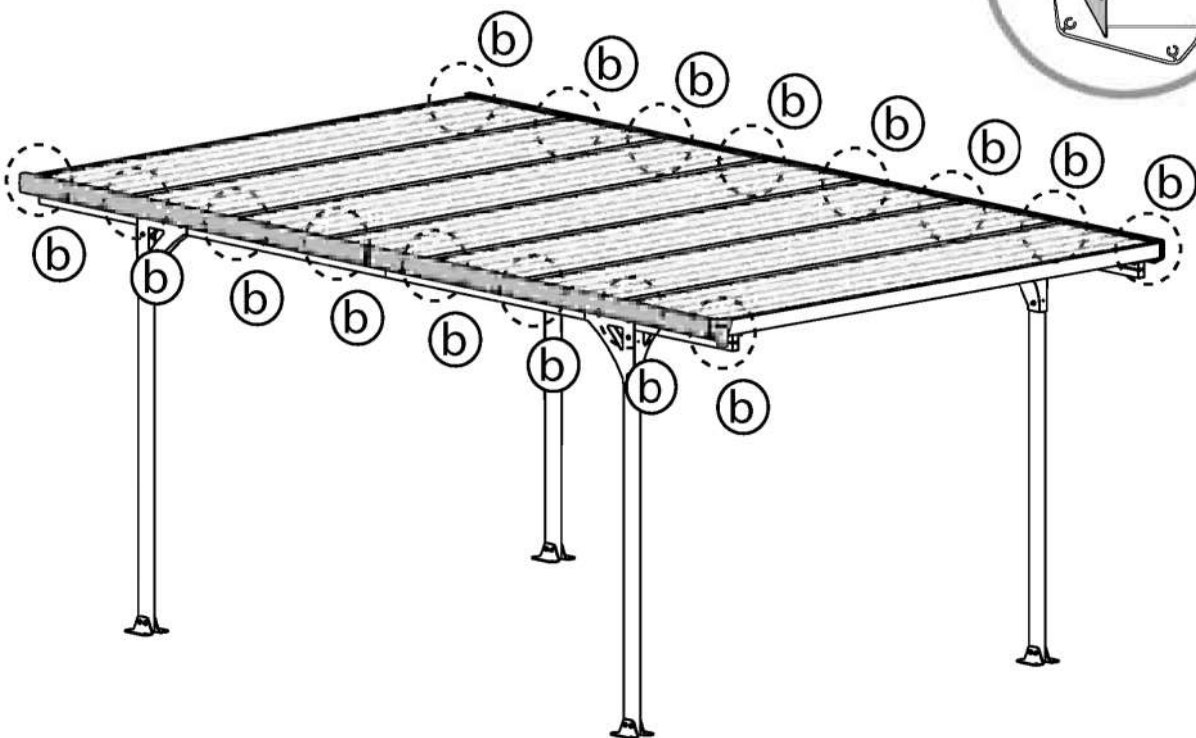
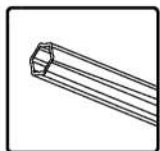


8192  4



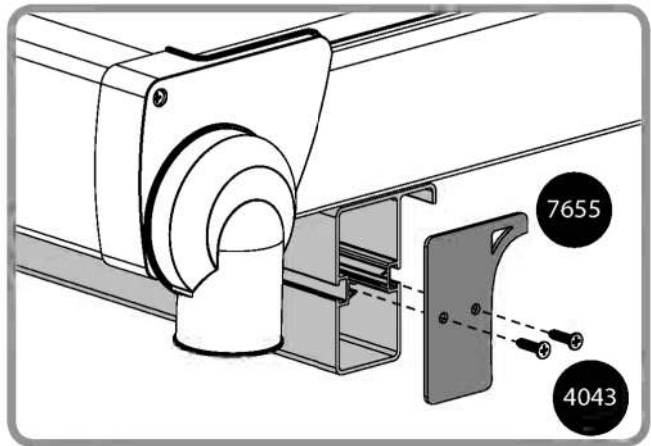
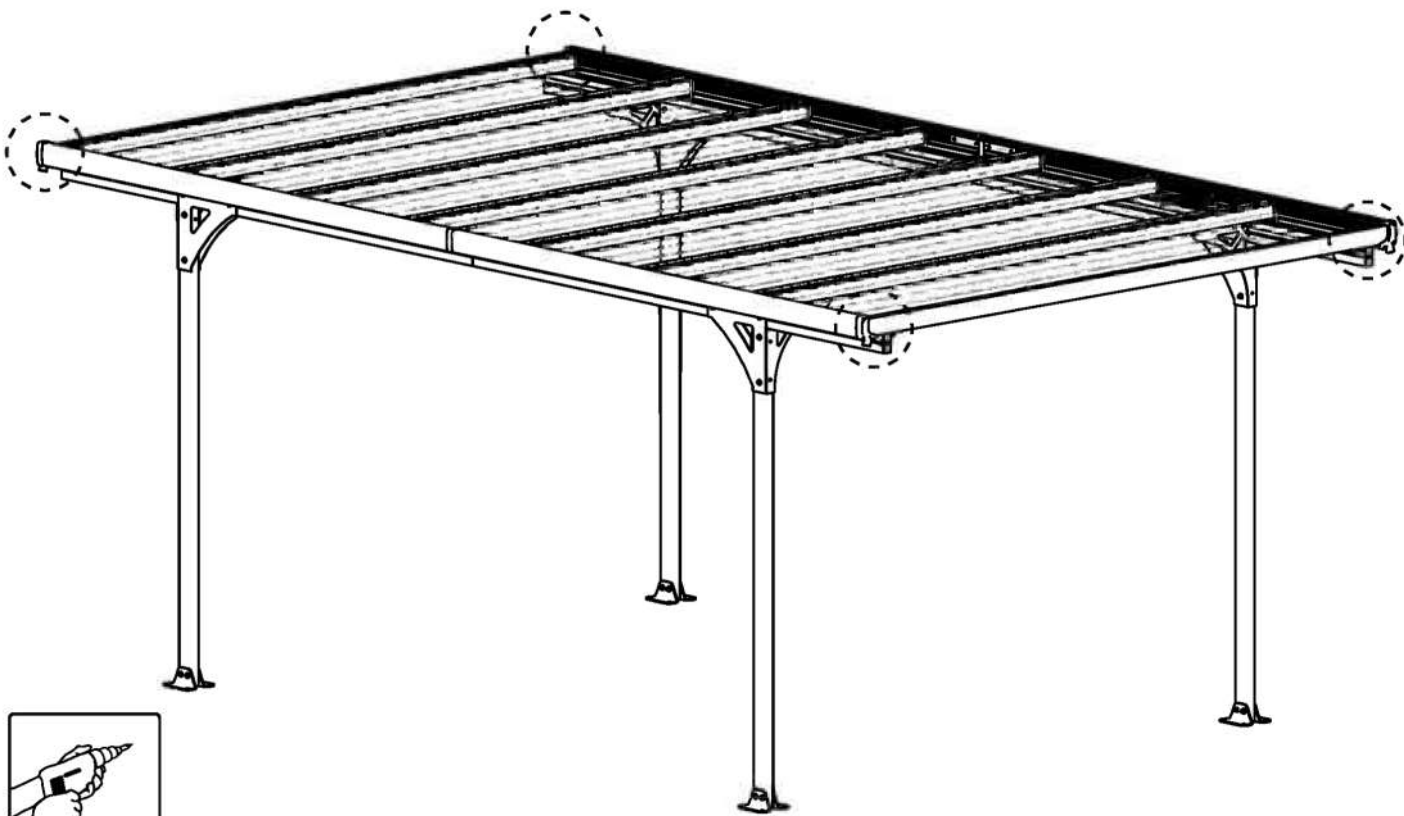


466 16

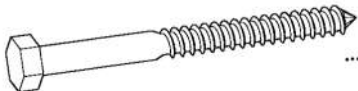


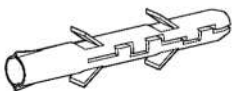


7655 4 4043 8

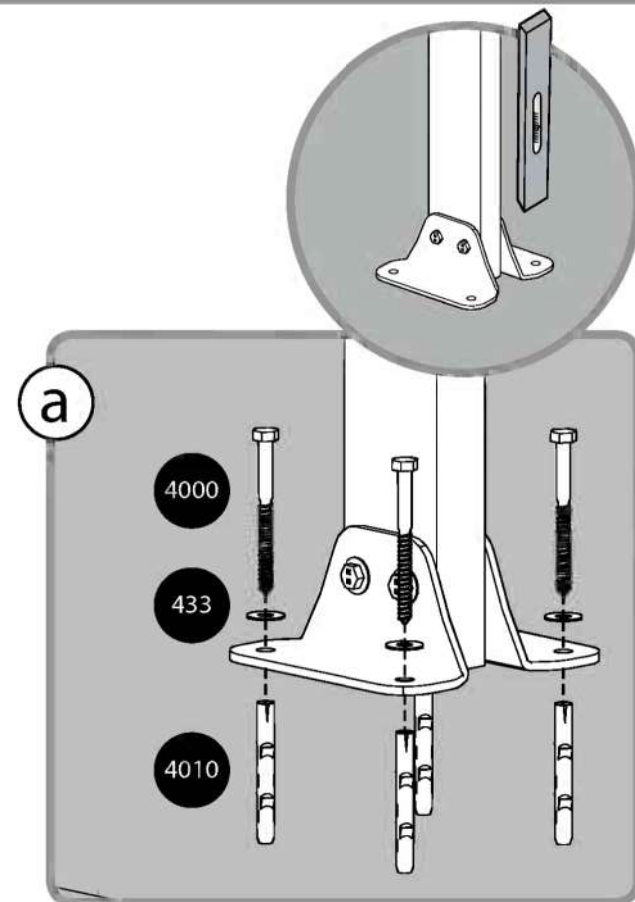
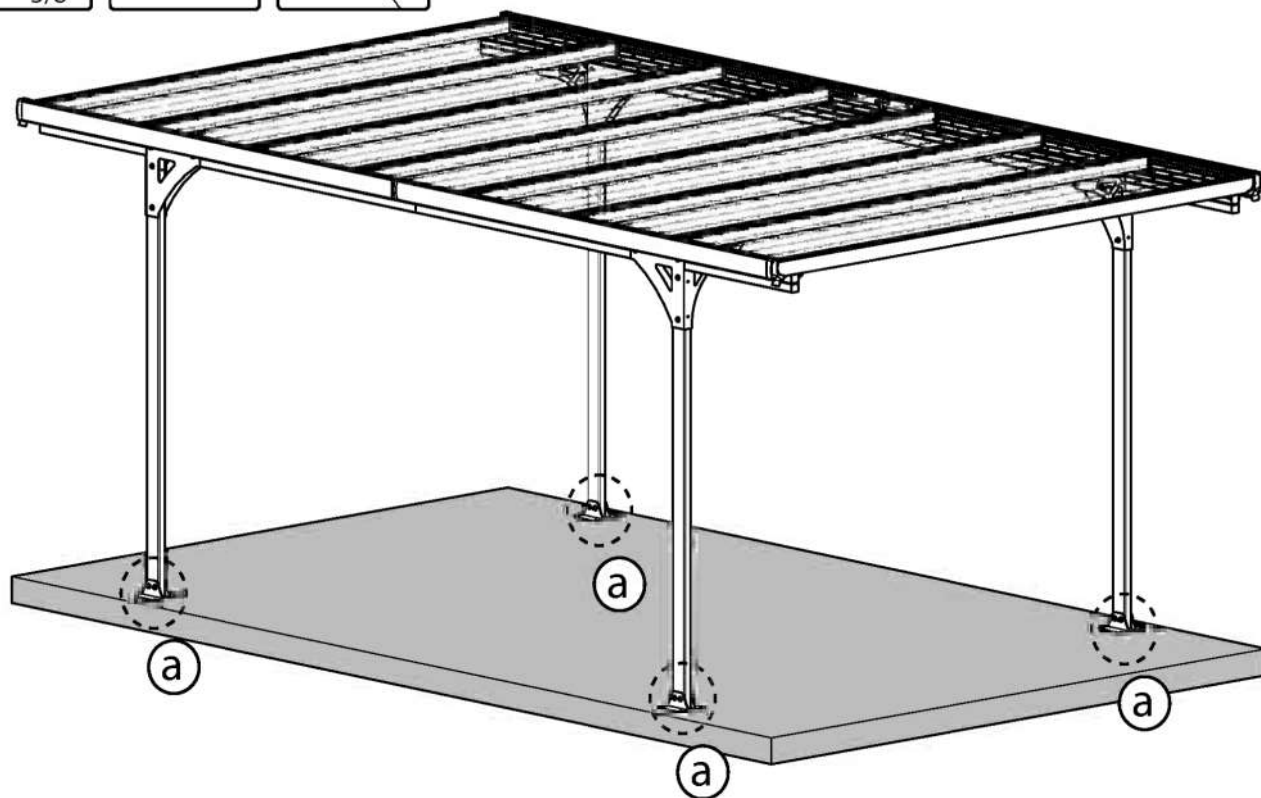
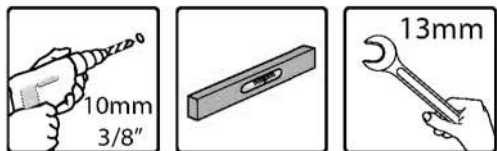





4000  16

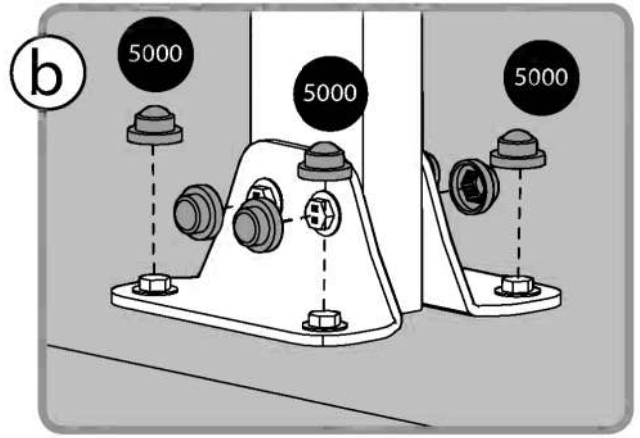
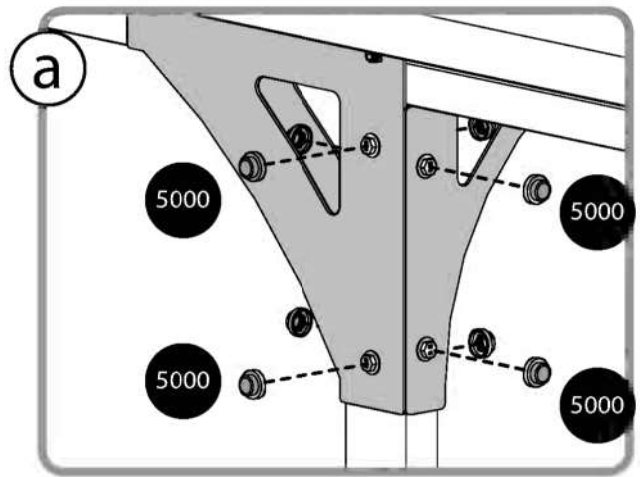
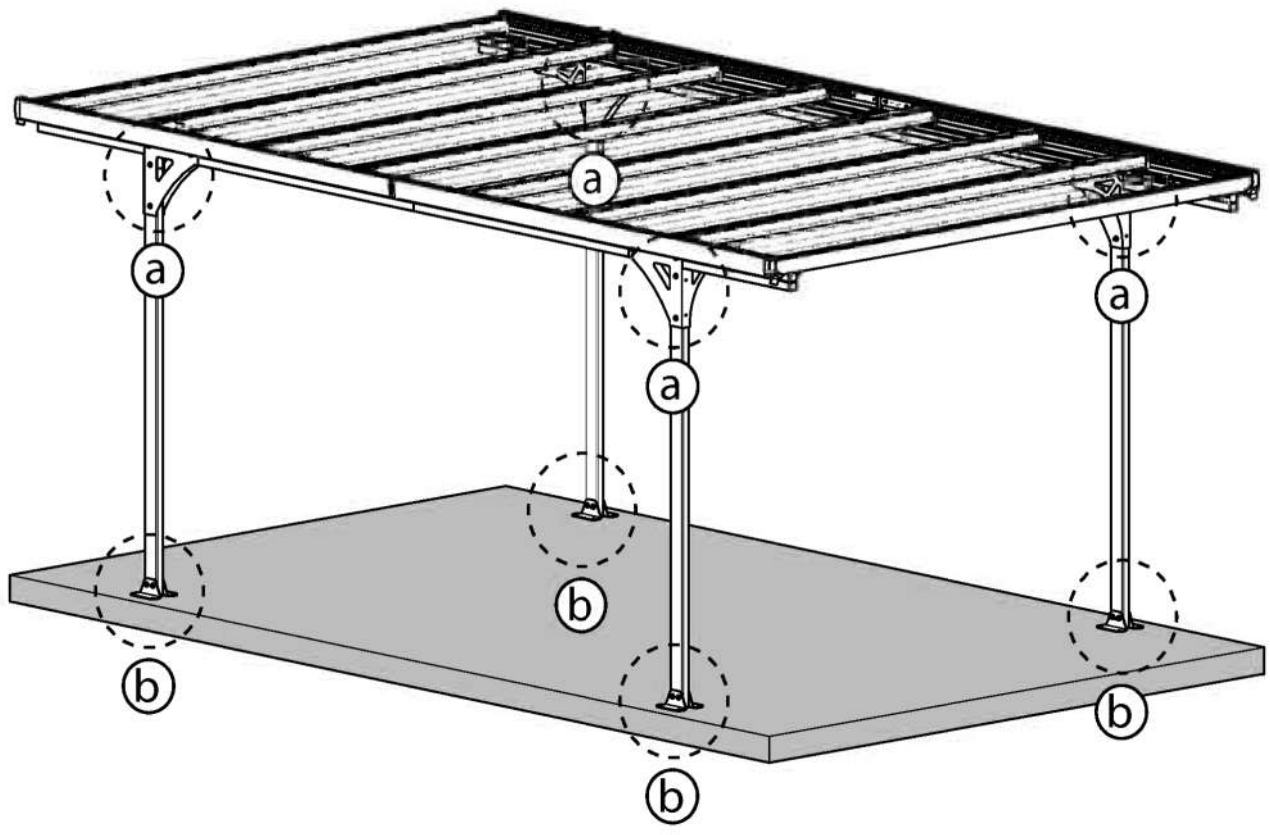
4010  16

433  16





5000  64





5001  56

