

Roof Vent Sizing Guide

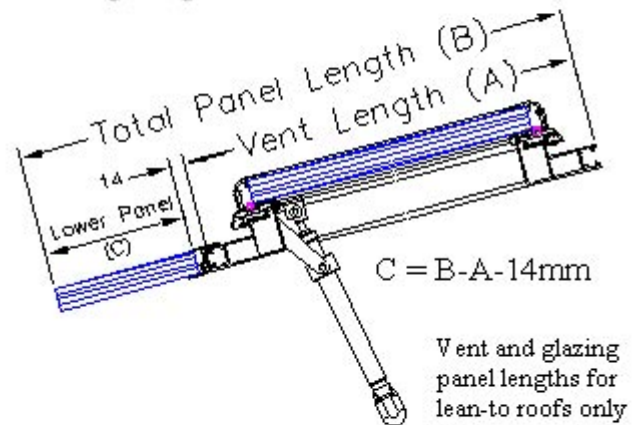
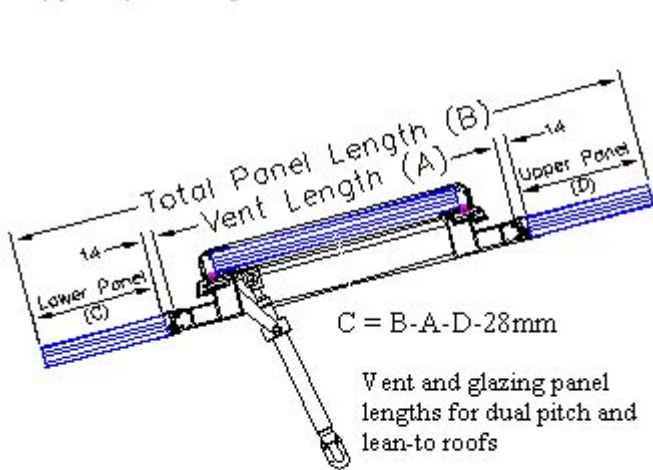
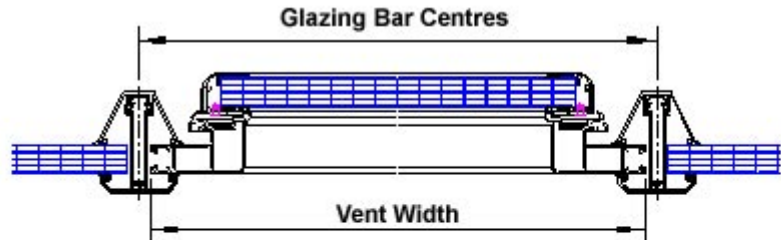
The following guidelines will help you to calculate the size of your roof vent.

They will also allow you to work out the sizes of the polycarbonate or glass for inside and around your vents should you require it.

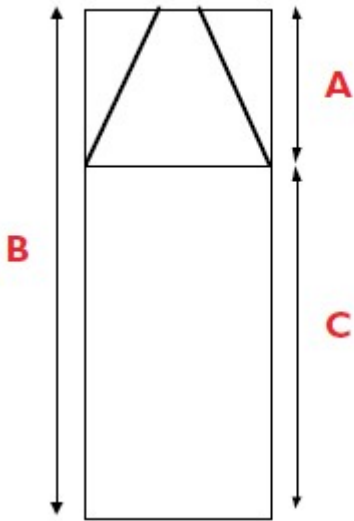
These measurements and adjustments relate to the bars sold on this site. These may vary with other glazing systems therefore you would need to seek advice from your bar supplier/manufacturer.

The vent width is always equal to the width of the polycarbonate or glass panels installed above and below the vent.

Typically Glazing bar centres - (minus) the normal deduction for that glazing bar

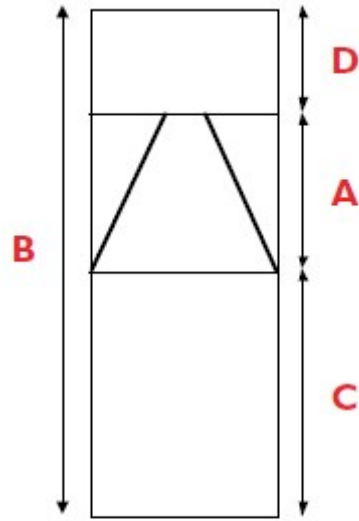


Vent panel length = vent length (A) – 135mm, Vent panel width = vent width – 135mm, (NB: if using glass then 24mm thick double glazed panels only)



$C = B - A - 14\text{mm}$
 A = Vent length (800mm std)
 B = Total Panel length
 C = Lower Panel length

If using a roof vent in this configuration in a lean-to roof special detailing is required. Please contact our technical department for full details.



$C = B - D - A - 28\text{mm}$
 A = Vent length (800mm std)
 B = Total Panel length
 C = Lower Panel length
 D = Upper Panel length